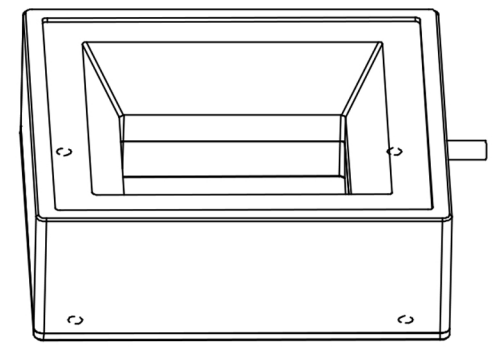
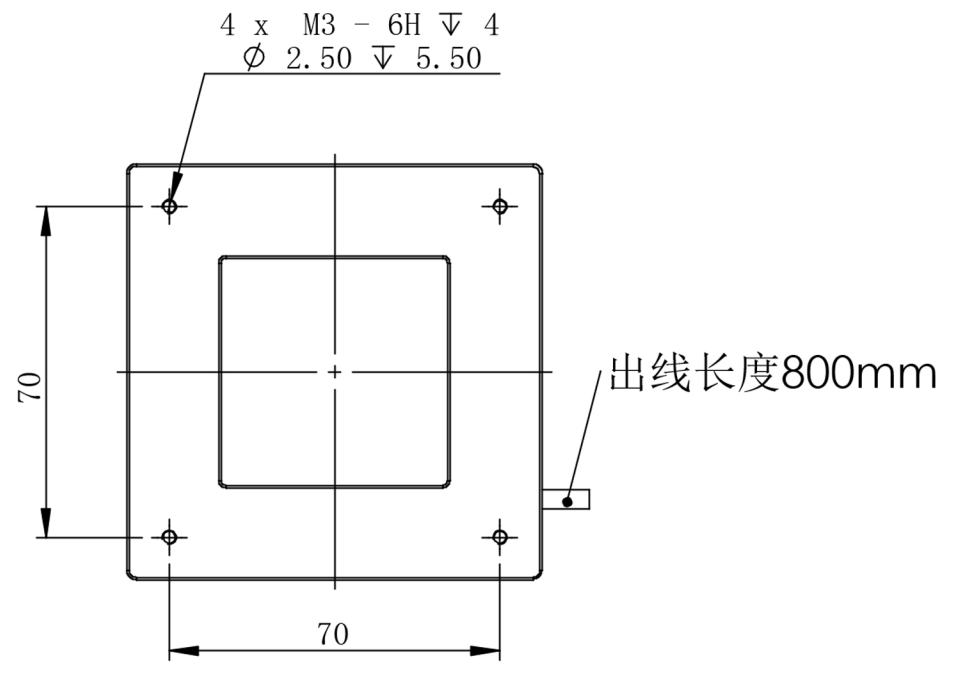
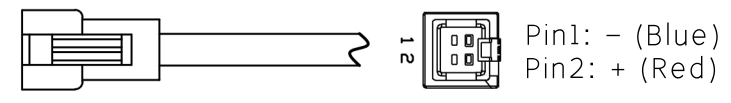


剖面 D-D



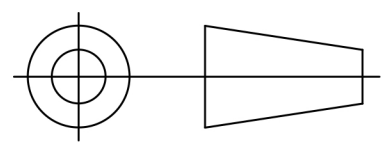
Details of Connector



Connector Type: SMP-03V-B (Light Side)
SMP-03V-BC (Power Supply Side)

Specification:

MODEL	PL-RIH88-W/-B/-G/-UV	-R/-IR850/-IR940
Wavelength (nm)	6500K/470/530/385	625/850/940
Power Supply	DC24V/13.5 (W)	DC24V/9 (W)



Itemref	Quantity	Material: AL/ACRIL	ArticleNo./Reference
			Filename PL-RIH88
			Scale 1/1
PL-RIH88-U			
		PL-RIH88-0000	Edition VER.1.0
			Sheet 1