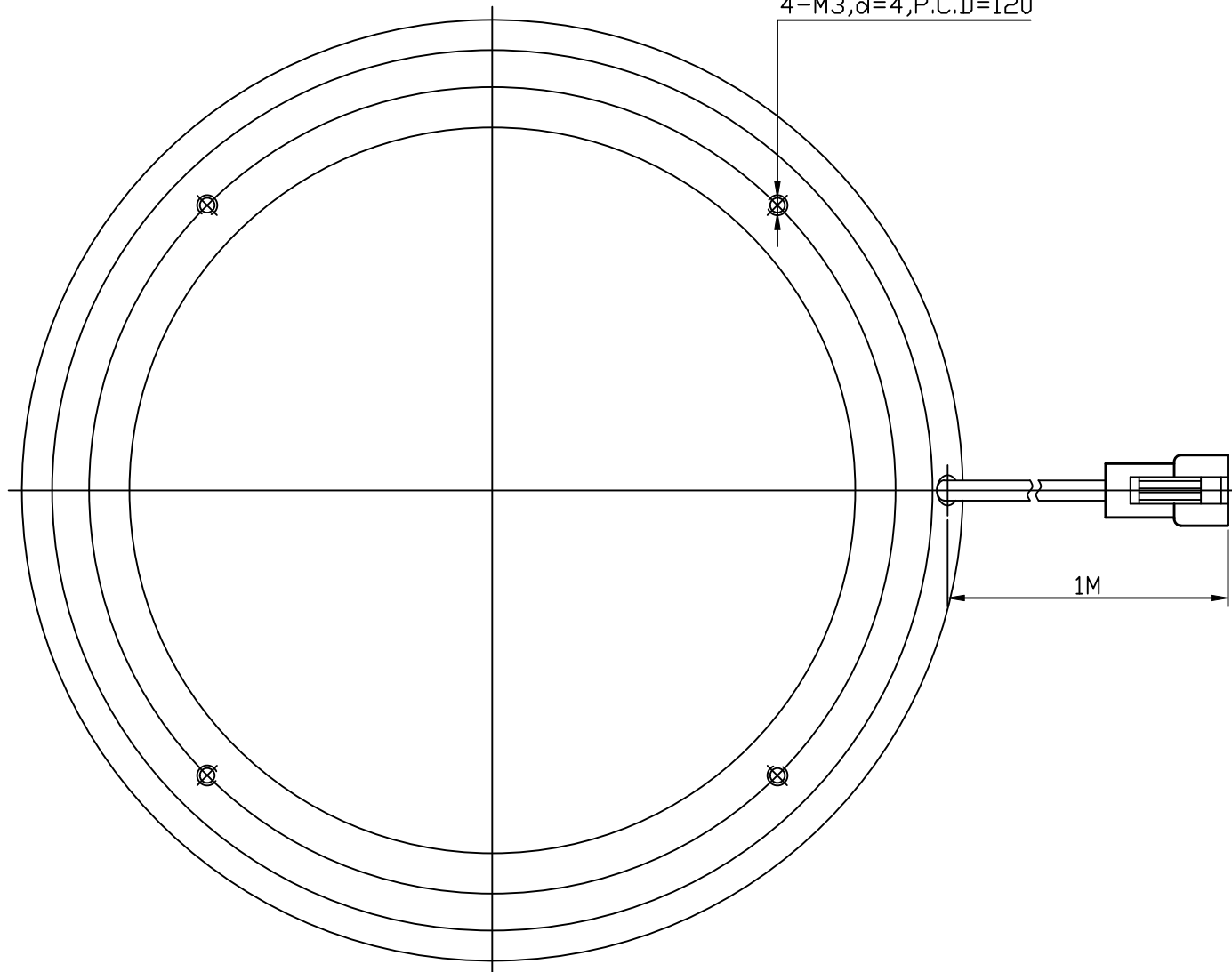
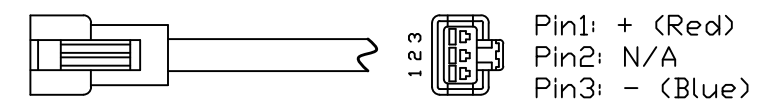


4-M3,d=4,P.C.D=120



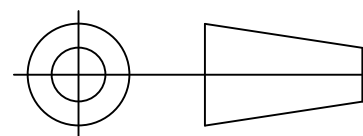
Details of Connector



Connector Type: SMR-03V-B (Light Side)  
SMP-03V-BC (Power Supply Side)

Specification:

MODEL	WLDR-75AG140-W/-B/-G/-UV	-Y/-R/-IR850/-IR940
Wavelength(nm)	6500K/470/525/390	590/625/850/940
Power Supply	DC24V/12.9(W)	DC24V/11.5(W)
Weight	210g	



Itemref	Quantity	Material: AL	Article No./Reference		
Designed by DESIGNED_BY	Checked by CHECKED_BY	Approved by - date 2014-09-10	Filename WLDR-75AG140	Date 2014-09-10	Scale 1/1
WAVECREST			WLDR-75AG140-USER		
			WLDR-75AG140-0000	Edition VER.1.0	Sheet 1